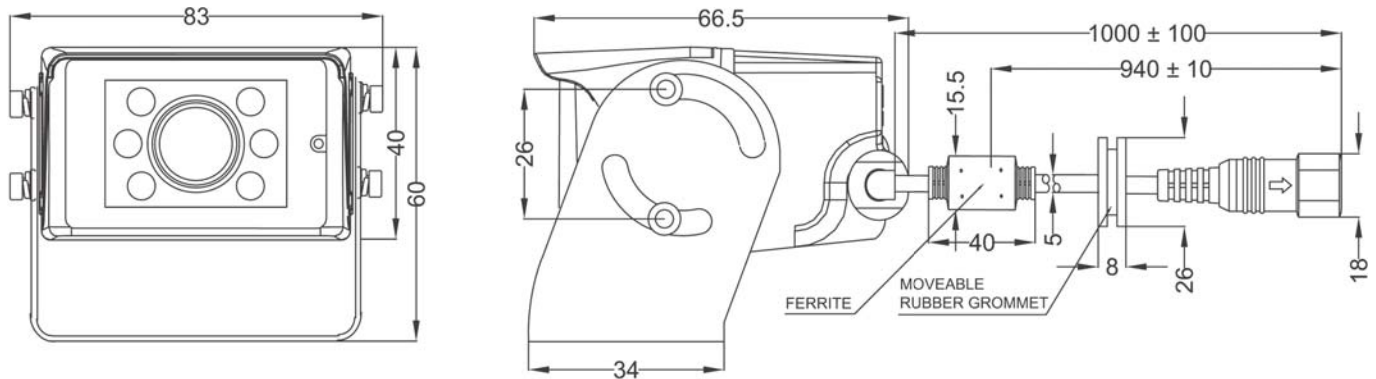


Product Specification

Brigade Model Number: BE-990C

Brigade Stock Code: #3042



Dimensions: mm

Product Specification

Environmental Specifications:

- Shock Rating: 100 G
- Vibration Rating: 10 G
- Camera IP Rating: IP68
- Connector IP Rating: IP68
- Operating Temperature: -30° to +80°C
- Storage Temperature: -40° to +90°C

Approved Standards:

- RoHS
- WEEE
- HALT
- ISO 13766
- 2006/28 EC

Technical Specifications:

- Operating Voltage: 9v~12 Vdc
- Current Consumption: ≤250mA
- Power Consumption: ≤3 Watts
- Imaging Devices: CCD - 1/3 " Sony
DSP - Sony
- TV System: PAL
- Picture Elements: 500 (H) x 582 (V)
- Visual Resolution: 420 TV Lines
- Lens Focal Length: 2.9mm ±5%
- Image Transfer: Interline CCD Type
- Signal to Noise Ratio: >50dB
- Required Illumination: 0 Lux (IR LED ON)
- Illumination Distance: 10 Metres

Technical Specifications Continued...

- Viewing Angle: 95° (H) x 72° (V) 125° (D)
- Weight: 300 Grams
- Video Output: 1.0 Vp-p / 75Ω
- Length of Cable: 1 Metre
- Overall Dimensions: 83mm (W) x 66.5mm (D) x 60mm (H)
- Casing Material: Die Cast Aluminium
- View: Mirror/Normal
- Finish: Black Powder Coating

Features:

- Back Light Compensation
- Automatic White Balance
- Automatic IRIS
- 6 x High Power Infrared LEDs
- Integrated Heater (≤ 0°C)
- Integrated Microphone
- BE Type Connector
- Video Noise Reduction Ferrite
- High Quality Sony CCD
- High Quality Sony DSP

Package Contents:

- 1x Camera
- 1x Instruction Leaflet
- 1x Bracket
- 4x Body Mounting Screws
- 4x Bracket Mounting Screws
- 1x 3mm Allen Key